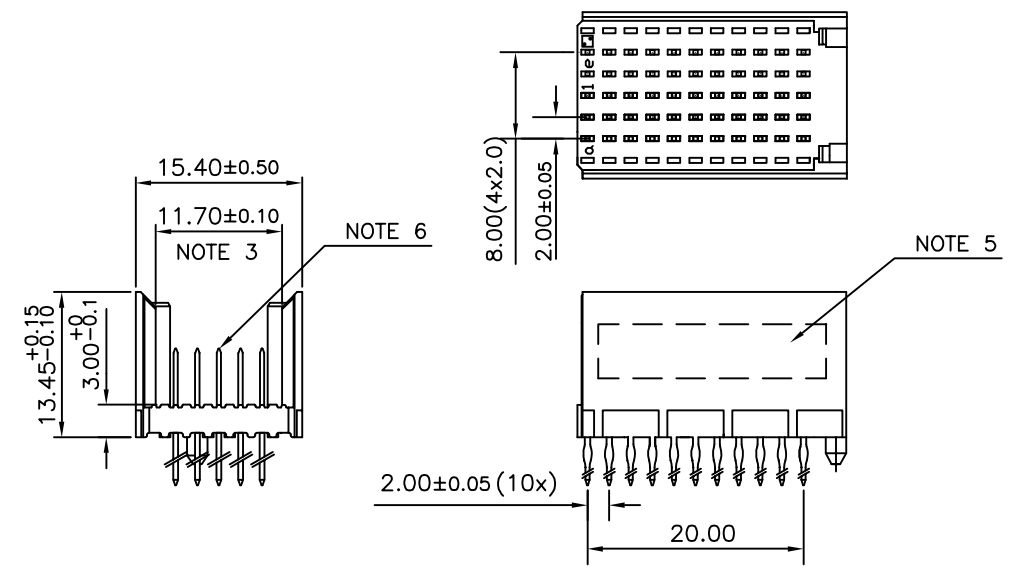


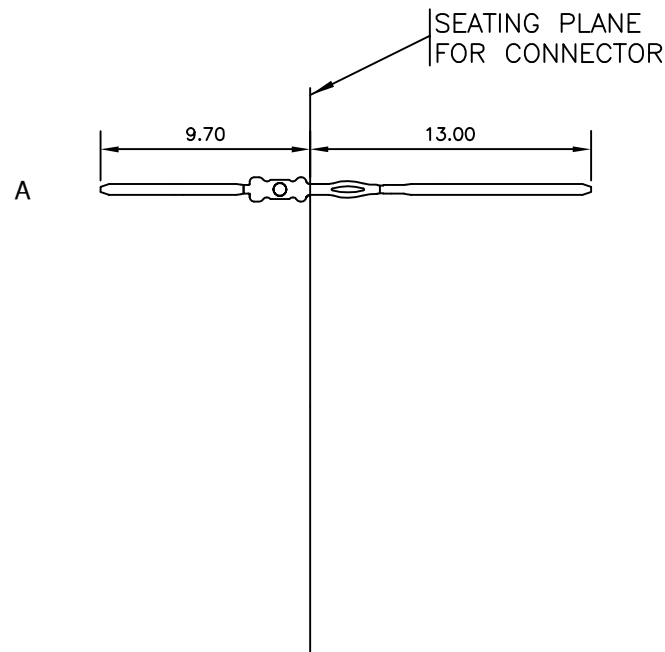
LOADING PATTERN MATING SIDE

f	0	0	0	0	0	0	0	0	0	0
e	A	A	A	A	A	A	A	A	A	A
d	A	A	A	A	A	A	A	A	A	A
c	A	A	A	A	A	A	A	A	A	A
b	A	A	A	A	A	A	A	A	A	A
a	A	A	A	A	A	A	A	A	A	A
z	0	0	0	0	0	0	0	0	0	0
POS	01				05					10

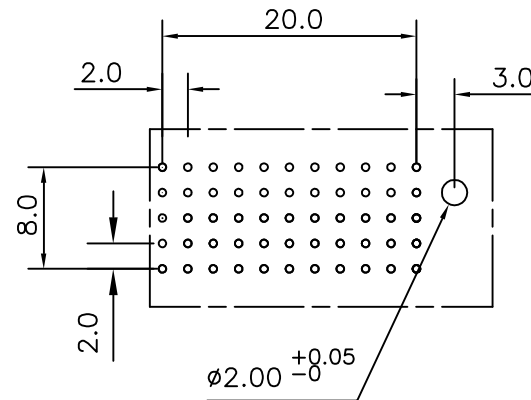
LOADED CONNECTOR ASSEMBLY (FOR EXAMPLE)



CONTACT OVERVIEW



LAY-OUT P.C.B.-HOLE



HM2P09PKE120 **LEAD FREE INDICATOR : LF = LEAD FREE (DIGIT 15 & 16)**
PLATING CODE (DIGIT 13 AND 14)
 (REF DRW NO. BS,C , 201844 , 003)

NOTES

- THIS PRODUCT IS CSA APPROVED.
 - THIS PRODUCT IS UL RECOGNIZED.
 - MEASURED AT THE BOTTOM.
 - MATERIAL CONTACT: PHOSPHORBRONZE
HOUSING: CREAM WHITE GLASS FILLED POLYESTER UL-94V0
 - CONNECTOR PRINTED WITH P/N AND DATE CODE.
 - FOR ACTUAL CONTACT LOADINGS, SEE LOADING PATTERN MATING SIDE.
 - SHAPE OF CONNECTOR HOUSING CAN ALTER DEPENDING ON PRODUCTION LOCATION
 - THE PRODUCT (LF) MEETS EUROPEAN UNION DIRECTIVES AND OTHER COUNTRY REGULATIONS AS DESCRIBED IN GS-22-008
 - FOR RECOMMENDED PTH DIMENSIONS REFER DRAWING : BS, A , 201572 , 001
- CATALOG NO: HM2P09PKE120----

mat'l. code		surface		tolerance		projection		product family	
SEE NOTE 4		ISO 1302		ISO 406 ISO 1101		MM		MILLIPACS	
ltr		ecn no		dr		date		title	
A		I04-0003		MINI		2004/01/27		MPACS 5+2R STR HDR PF CONN TYPE C	
B		I05-0187		MINI		2005/10/08			
C		I06-0090		MINI		2006/06/26			
				dr		2004/01/27		dwg no	
				engr		2004/01/27		sheet 1 of 1	
				chr		2006/06/26		size	
				appd		2006/06/26		A3	
sheet index		revision sheet		C		1		type	
								Product Customer Drawing	



Copyright FCI